

ESRACOPPER[®]

ENGINEERED FOR SUPERIOR

THERMAL CONDUCTIVITY
AND CORROSION RESISTANCE



PRODUCT
CATALOGUE
2025

Copper coil tubes, renowned for their versatile applications, serve prominently in HVAC, refrigeration, and plumbing systems due to their exceptional heat transfer properties and corrosion resistance. Crafted from high-grade copper, these tubes boast durable construction, ensuring longevity and reliability in diverse industrial settings.

High quality in production is achieved through strict controls applied throughout the production process. With a consistent quality focus and leverages high technologies & expert staff.



Copper Coil

Standard Dimensions US Standards [ASTM B-280]

Pancakes (Soft Temper)									
Copper tube External diameter	Inch	3/16	1/4	5/16	3/8	1/2	5/8	3/4	7/8
	mm	4,76	6,35	7,94	9,52	12,70	15,87	19,05	22,22
Copper tube Wall thickness	Inch	0,030	0,030	0,032	0,032	0,032	0,035	0,035	0,045
	mm	0,76	0,76	0,81	0,81	0,81	0,89	0,89	1.14
Weight	kg/m	0,085	0,119	0,162	0,198	0,270	0,372	0,451	0,672
Maximum Allowable Pressure	bar	225	161	137	112	82	70	57	66

Copper Pipe



Copper Pipe

Specifications

EN 12735 parts 1 & 2, ASTM B280/B68/B743, JIS H3300 Copper Tubes produced according to EN12735 part 1& 2 are certified according to the requirement of the Pressure Equipments Directive (PED) 2014/68/EU, as well as the German regulation AD2000/W6 for pressure Vessels

Copper Pipe sets the standard for HVACR copper tube and offers the strength, accuracy, and cleanliness required for the harsh environments of HVAC and refrigeration applications.

- ◆ High thermal conductivity
- ◆ Stable mechanical properties covering an extensive temperature range
- ◆ Chemically “inert” against HFCs, HFOs and natural refrigerants (Eg. R-410A, R-134A, R-407C, R-12344yf, R-1234ze, R-600, R-744 Etc.)
- ◆ High purity of internal surface
- ◆ Smooth internal surface enhancing flow rate
- ◆ Excellent weldability
- ◆ Excellent “cold formability”

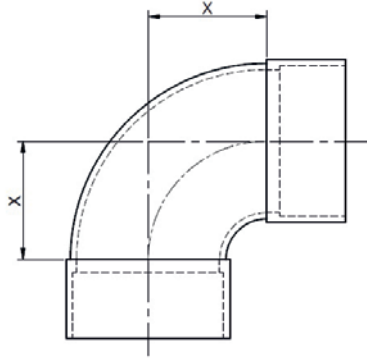
The value of maximum working pressure refer to the material condition R205. Asafety factor of 3.5 is used. The material tolerance of the wall thickness is considered. No further processing is taken into account. For temperature upto 100°C

Straight Length (Hard Temper, 6 Meters)

Copper tube External diameter	Inch	3/8	1/2	5/8	3/4	7/8	1.1/8	1.3/8	1.5/8	2.1/8	2.5/8	3.1/8	3.5/8	4.1/8
	mm	9,52	12,70	15,87	19,05	22,22	28,57	34,92	41,27	53,97	66,67	79,37	92,07	104,77
Copper tube wall thickness	Inch	0,030	0,035	0,040	0,042	0,045	0,050	0,055	0,060	0,070	0,080	0,090	0,100	0,110
	mm	0,79	0,92	1,05	1,10	1,17	1,30	1,43	1,55	1,81	2,06	2,32	2,57	2,82
Weight	kg/m	0,187	0,294	0,424	0,538	0,672	0,970	1,312	1,690	2,598	3,669	4,936	6,359	7,956
Maximum Allwable Pressure	bar	105	87	81	70	65	56	49	45	40	37	35	33	32

Customized dimensions are manufactured upon request

Copper Elbow 90° Short Radius



Esra Style
ER-600

Connection
CXC

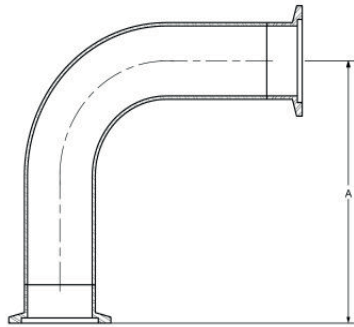
Elkhart Style
107-C

Mueller Style
WE-500

Size			Part Number	Box qty.	Thickness	Approx. Net. Wt.	Dimensions		
1	2	3					1	2	3
1/4			ER 2003	50	-	.01	3/8	3/8	
3/8			ER 2009	50	0.7	.02	3/8	3/8	
1/2			ER 2017	50	0.9	.03	1/2	1/2	
5/8			ER 2022	100	1.2	.05	19/32	19/32	
3/4			ER 2028	50	1.2	.10	7/8	7/8	
7/8			ER 2034	50	1.2	.11	53/64	53/64	
1			ER 2040	20	-	.22	1 1/8	1 1/8	
1 1/8			ER 2047	25	1.4	.20	15/64	15/64	
1 3/8			ER 2084	10	1.65	.31	13/32	13/32	
1 5/8			ER 2085	10	1.65	.43	17/32	17/32	
2 1/8			ER 2086	10	2	.86	19/16	19/16	
2 5/8			ER 2087	5	2.2	1.40	1 13/16	1 13/16	
3 1/8			ER 2088	5	2.4	1.99	2 1/16	2 1/16	
3 5/8			ER 2089	2	-	2.74	2 13/32	2 13/32	
4 1/8			ER 2090	2	3	3.80	2 23/32	2 23/32	
6 1/8			ER 2097	-	-	11.73	4 13/64	4 13/64	

Copper Fittings

Copper Elbow 90° Long Radius



Esra Style
ER-600L

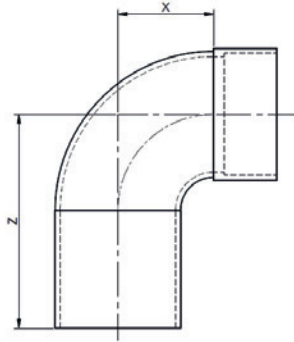
Connection
CXC

Elkhart Style
107-L

Mueller Style
WE-500L

Size			Part Number	Box qty.	Thickness	Approx. Net. Wt.	Dimensions		
1	2	3					1	2	3
3/16			ER 2701	50	-	.01	5/16	5/16	
1/4			ER 2715	50	-	.01	1/2	1/2	
5/16			ER 2710	50	-	.01	9/16	9/16	
3/8			ER 2716	50	0.7	.02	3/4	3/4	
1/2			ER 2717	50	0.9	.04	3/4	3/4	
5/8			ER 2722	50	1.2	.06	7/8	7/8	
3/4			ER 2728	50	1.2	.11	1 1/8	1 1/8	
7/8			ER 2734	25	1.2	.15	1 3/16	1 3/16	
1 1/8			ER 2747	10	1.4	.26	1 1/2	1 1/2	
1 1/4			ER 2054	50	-	.33	1 7/8	1 7/8	
1 3/8			ER 2055	10	1.65	.44	1 7/8	1 7/8	
1 5/8			ER 2063	5	1.65	.61	2 1/4	2 1/4	
2 1/8			ER 2072	5	2	1.19	2 7/8	2 7/8	
2 5/8			ER 2082	5	2.2	2.06	3 21/32	3 21/32	
3 1/8			ER 2092	2	2.4	3.05	4 5/8	4 5/8	
3 5/8			ER 2093	1	-	4.95	4 29/32	4 29/32	
4 1/8			ER 2095	-	3	7.75	5 7/8	5 7/8	

Copper Elbow 90° Long Radius Street



Esra Style
ER-603L

Connection
FTG X C

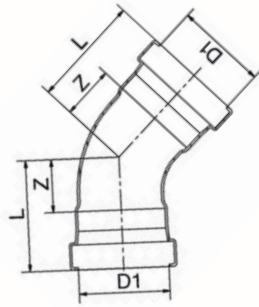
Elkhart Style
107-L-2

Mueller Style
WE-503L

Size			Part Number	Box qty.	Thickness	Approx. Net. Wt.	Dimensions		
1	2	3					1	2	3
3/8			ER 2809	50	0.7	.03	1 1/8	3/4	
1/2			ER 2817	50	0.9	.04	1 3/16	3/4	
5/8			ER 2822	50	1.2	.07	1 3/8	7/8	
3/4			ER 2828	25	1.2	.11	1 13/16	1 1/8	
7/8			ER 2834	25	1.2	.15	2	1 3/16	
1 1/8			ER 2847	10	1.4	.27	2 15/32	1 1/2	
1 3/8			ER 2350	10	1.65	.42	2 29/32	1 7/8	
1 5/8			ER 2355	5	1.65	.60	3 7/16	2 1/4	
2 1/8			ER 2359	5	2	1.21	4 9/32	2 7/8	
2 5/8			ER 2363	5	2.2	2.08	5 5/32	3 21/32	
3 1/8			ER 2368	2	2.4	3.10	6 9/32	4 5/8	
3 5/8			ER 2393	1	-	5.52	7 7/32	5 1/4	
4 1/8			ER 2395	-	3	7.50	8 3/32	5 7/8	

Copper Fittings

Copper Elbow 45°



Esra Style
ER-604

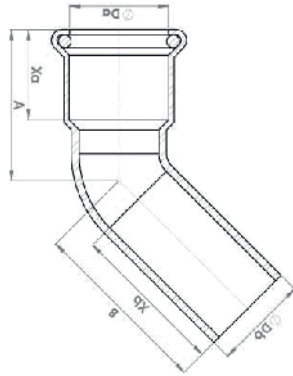
Connection
CXC

Elkhart Style
106

Mueller Style
WE-504

Size			Part Number	Box qty.	Thickness	Approx. Net. Wt.	Dimensions		
1	2	3					1	2	3
1/4			ER 3005	50	-	.01	3/16		
3/8			ER 3012	50	0.7	.01	3/16		
1/2			ER 3021	50	0.9	.02	13/64		
5/8			ER 3026	50	1.2	.04	17/64		
3/4			ER 3030	50	1.2	.06	5/16		
7/8			ER 3034	25	1.2	.10	23/64		
1 1/8			ER 3044	10	1.4	.18	15/32		
1 3/8			ER 3050	10	1.65	.21	7/16		
1 5/8			ER 3055	10	1.65	.30	1/2		
2 1/8			ER 3059	10	2	.55	5/8		
2 5/8			ER 3063	5	2.2	1.41	29/32		
3 1/8			ER 3067	2	2.4	1.87	29/32		
3 5/8			ER 3070	2	-	3.35	19/64		
4 1/8			ER 3073	-	3	4.68	13/16		

Copper Elbow 45° Street



Esra Style
ER-605

Connection
FTG X C

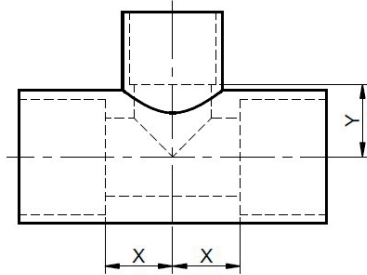
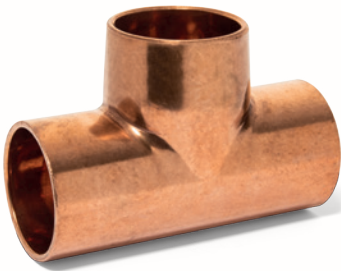
Elkhart Style
106-2

Mueller Style
WE-505

Size			Part Number	Box qty.	Thickness	Approx. Net. Wt.	Dimensions		
1	2	3					1	2	3
3/8			ER 3312	100	0.7	.01	9/16	3/16	
1/2			ER 3321	100	0.9	.02	21/32	13/64	
5/8			ER 3326	50	1.2	.04	13/16	17/64	
3/4			ER 3330	50	1.2	.06	1	5/16	
7/8			ER 3334	25	1.2	.10	1 11/64	23/64	
1 1/8			ER 3344	25	1.4	.17	1 7/16	15/32	
1 3/8			ER 3350	10	1.65	.31	1 13/16	25/32	
1 5/8			ER 3355	10	1.65	.43	2 5/64	15/16	
2 1/8			ER 3359	5	2	.86	2 3/32	5/8	
2 5/8			ER 3363	2	2.2	1.43	3 2/16	29/32	
3 1/8			ER 3368	2	2.4	1.92	2 17/32	29/32	
4 1/8				-	3	4.62	4 5/32	1 15/16	

Copper Fittings

Copper Tee



Esra Style
ER-700

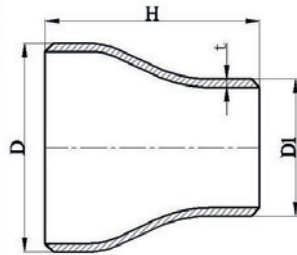
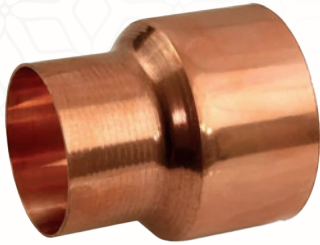
Connection
CXCXC

Elkhart Style
111

Mueller Style
WT-600

Size			Part Number	Box qty.	Thickness	Approx. Net. Wt.	Dimensions		
1	2	3					1	2	3
3/16			ER 40302	50	-	.01	7/64	7/64	25/32
1/4			ER 40306	100	-	.01	5/32	5/32	5/32
5/16			ER 40313	50	-	.01	13/64	13/64	3/16
3/8			ER 04000	50	0.7	.02	13/64	13/64	3/16
1/2			ER 04001	50	0.9	.05	17/64	17/64	1/4
5/8			ER 04006	50	1.2	.06	21/64	21/64	21/64
3/4			ER 04017	25	1.2	.12	13/32	13/32	25/64
7/8			ER 04031	25	1.2	.17	15/32	15/32	29/64
1 1/8			ER 04040	10	1.4	.31	37/64	37/64	9/16
1 3/8			ER 04068	5	1.65	.50	23/32	23/32	45/64
1 5/8			ER 04084	5	1.65	.70	53/64	53/64	53/64
2 1/8			ER 40102	5	2	1.60	13/32	13/32	13/32
2 5/8			ER 40123	2	2.2	2.11	15/16	15/16	13/8
3 1/8			ER 40152	2	2.4	3.79	1 19/32	1 19/32	15/8
3 5/8			ER 40190	1	-	5.74	1 15/16	1 15/16	1 55/64
4 1/8			ER 40200	1	3	8.10	2 1/8	2 1/8	2 1/8
5 1/8			ER 40400	-	-	15.67	2 45/64	2 45/64	2 47/64
6 1/8			ER 40500	-	-	22.00	3 1/16	3 1/16	3 1/4

Copper Coupling Reducer



Esra Style
ER-500R

Connection
CXC

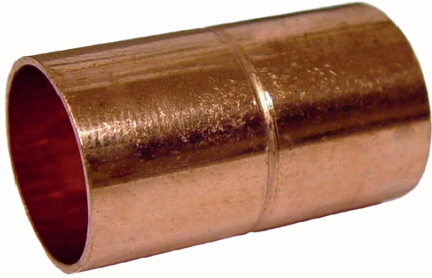
Elkhart Style
101-R

Mueller Style
WC-400R

Size			Part Number	Box qty.	Thickness	Approx. Net. Wt.	Dimensions		
1	2	3					1	2	3
1/4	X 3/16		ER 1004	50	-	.01	5/32		
	X 1/8		ER 1005	50	-	.00	3/16		
3/8	X 5/16		ER1010	50	-	.01	3/32		
	X 1/4		ER 1011	50	-	.01	3/16		
1/2	X 3/8		ER 1019	50	0.9 X 0.7	.02	7/32		
	X 1/4		ER 1021	50	-	.02	3/8		
5/8	X 1/2		ER 1023	50	1.2 X 0.9	.03	1/8		
	X 3/8		ER 1025	100	1.2 X 0.7	.03	19/64		
	X 1/4		ER 1027	100	-	.03	23/64		
3/4	X 5/8		ER 1029	100	1.2 X 1.2	.05	1/4		
	X 1/2		ER 1030	100	1.2 X 0.9	.05	3/16		
3/4	X 3/8		ER 1031	100	1.2 X 0.7	.04	5/16		
7/8	X 3/4		ER 1035	100	-	.06	13/64		
	X 5/8		ER 1036	50	-	.08	19/64		
	X 1/2		ER 1037	50	-	.06	13/32		
	X 3/8		ER 1038	50	-	.06	3/8		
1 1/8	X 7/8		ER 1049	25	-	.13	11/32		
	X 3/4		ER 1050	25	1.4 X 1.2	.10	23/64		
	X 5/8		ER 1051	25	1.4 X 1.2	.11	13/32		
	X 1/2		ER 1052	25	1.4 X 0.9	.10	15/32		
1 3/8	X 1 1/8		ER 1056	10	1.65 X 1.4	.18	9/32		
	X 7/8		ER 1058	10	1.65 X 1.2	.17	13/32		
	X 5/8		ER 1060	10	1.65 X 1.2	.15	17/32		
1 5/8	X 1 3/8		ER 1064	10	1.65 X 1.65	.24	5/16		
	X 1 1/8		ER 1065	10	1.65 X 1.4	.24	15/32		
	X 7/8		ER 1067	10	1.65 X 1.2	.22	19/32		
	X 5/8		ER 1069	10	1.65 X 1.2	.23	25/32		
2 1/8	X 1 5/8		ER 1073	-	2 X 1.65	.39	15/32		
	X 1 3/8		ER 1074	-	2 X 1.65	.41	35/64		
	X 1 1/8		ER 1075	-	2 X 1.4	.38	13/16		
	X 7/8		ER 1077	-	2 X 1.2	.39	29/32		
	X 5/8		ER 1079	-	2 X 1.2	.40	3/32		
2 5/8	X 2 1/8		ER 1083	-	2.2 X 2	.68	19/32		
	X 1 5/8		ER 1084	-	2.2 X 1.65	.72	7/8		
	X 1 3/8		ER 1085	-	2.2 X 1.65	.77			
	X 1 1/8		ER 1086	-	2.2 X 1.4	.78	3/16		
3 1/8	X 2 5/8		ER 1093	-	2.4 X 2.2	1.00	1/2		
	X 2 1/8		ER 1094	-	2.4 X 2	1.02	15/16		
	X 1 5/8		ER 1095	-	2.4 X 1.65	1.12	1/4		
3 5/8	X 3 1/8		ER 10101	-	-	1.49	19/64		
4 1/8	X 3 5/8		ER 10108	-	-	1.94	5/8		
	X 3 1/8		ER 10109	-	3 X 2.4	1.91	29/32		
	X 2 5/8		ER 10110	-	3 X 2.2	1.99	7/16		
	X 2 1/8		ER 10111	-	3 X 2	2.00	5/8		

Copper Fittings

Copper Coupling - Rolled Stop



Esra Style
ER-500

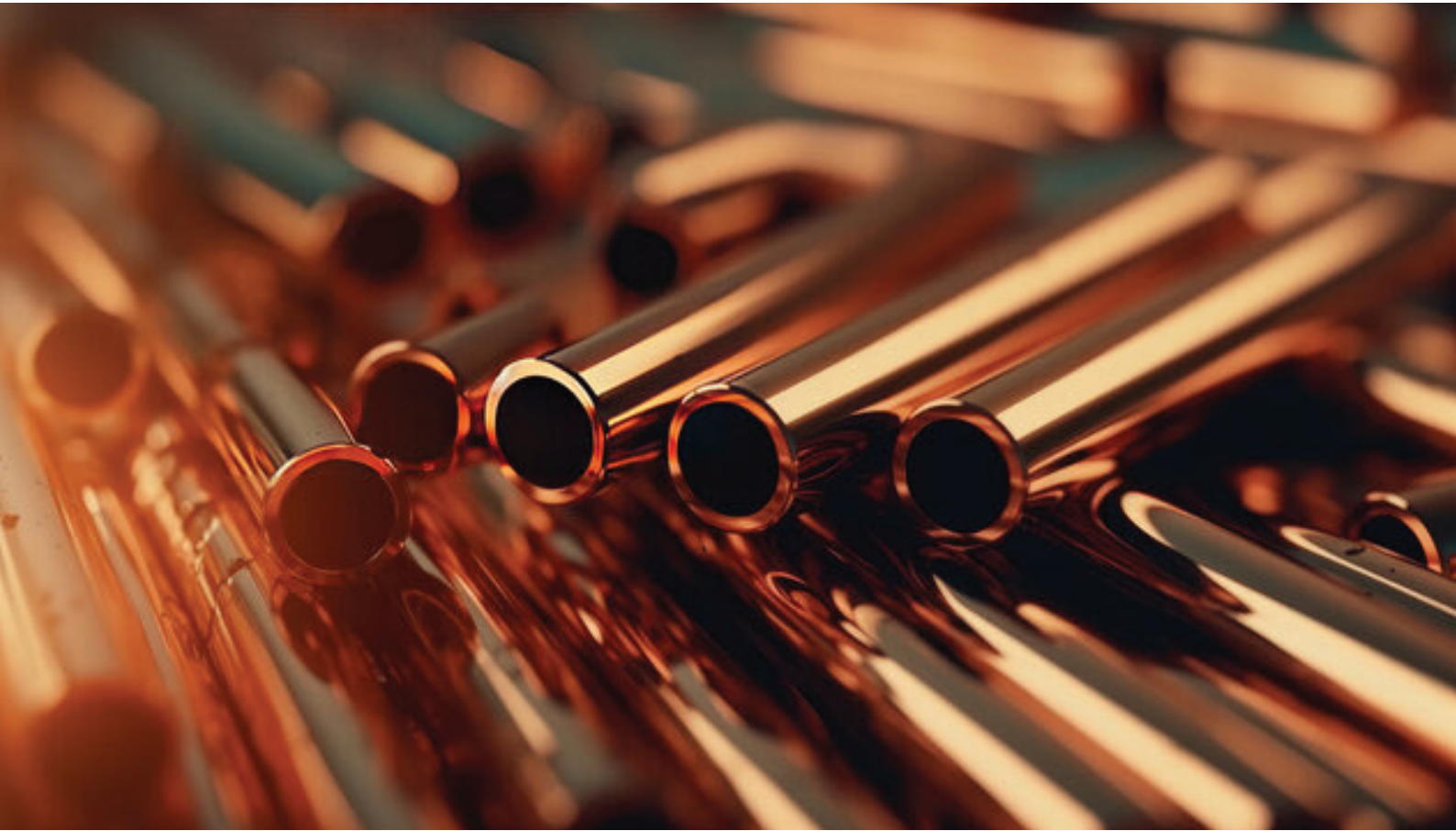
Connection
CXC

Elkhart Style
100-RS

Mueller Style
WC-400

Size			Part Number	Box qty.	Thickness	Approx. Net. Wt.	Dimensions		
1	2	3					1	2	3
1/8			ER 1000	100	-	.	3/64		
3/16			ER 1001	100	-		1/16		
1/4			ER 1003	100	-		1/16		
3/8			ER 1009	50	0.7	.01	1/16		
1/2			ER 1017	50	0.9	.02	1/16		
5/8			ER 1022	50	1.2	.02	1/16		
3/4			ER 1028	25	1.2	.04	1/16		
7/8			ER 1034	25	1.2	.06	1/16		
1			ER 1040	25	-	.10	1/16		
1 1/8			ER 1047	10	1.4	.10	1/16		
1 3/8			ER 1055	25	1.65	.15	1/16		
1 1/2			ER 1062	-	-	.22	1/16		
1 5/8			ER 1063	10	1.65	.22	1/16		
2 1/8			ER 1072	-	2	1.40	1/16		
2 5/8			ER 1082	-	2.2	.67	3/16		
3 1/8			ER 1092	-	2.4	1.05	3/16		
3 5/8			ER 10100	-	-	1.40	3/16		
4 1/8			ER 10107	-	3	2.13	3/16		

ESRACOPPER[®]



ESRACOPPER[®]

Ground Floor Shop No. 10, Plot No.380/388
Majestic Mainsion, S.V.P Road Near Harikishandas
Hospital, Next to Rudhira Peth Lab
Mumbai 400004 - India
Tel : 0091 6282878959
E-mail : sales@esracopper.com



www.esracopper.com